

# MSD INC.

# ENGINEERING DATA SHEET

RELAY TYPE: FCA-210-1038M

COMPUTER PART No.: 9227571

TEST PROCEDURE

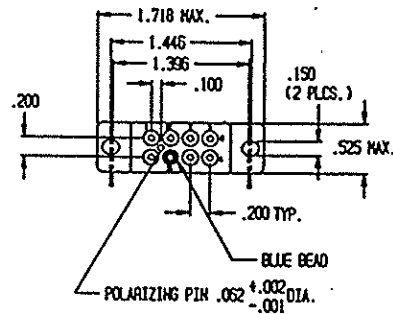
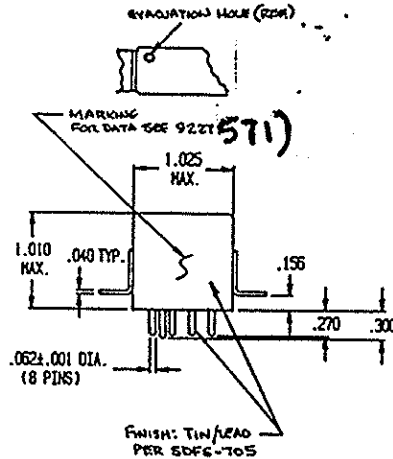
CUSTOMER/SPECIFICATION: M83536/10-038

REV NONE

MSDP-790

### TEST REQUIREMENTS

COIL RES.:  $\pm 10\%$  320 OHMS OPERATE TIME: 10mS MAX RELEASE TIME: 10mS MAX  
 CONTACT MAKE BOUNCE: 1mS MAX N.O. BREAK BOUNCE: 0.1mS MAX  
 CONTACT STABILIZATION TIME: 2.5 mS MAX RATED COIL VOLTAGE: 28Vdc  
 CONTACT RES.: MFG TEST: 8 Milliohms @ 10 mA FINAL TEST: 10 Milliohms @ 10 mA  
 CONTACT VOLTAGE DROP: FINAL TEST: 100 mV @ 10A-6 Vdc  
 HI-POT: 1250 Vrms ALL POINTS, EXCEPT 1000 Vrms COIL TO CASE  
 INSULATION RESISTANCE: 100 MEGOHMS MIN @ 500 Vdc  
 VIBRATION: MIL-STD-202, METHOD 204 (30GS/100-3000 Hz)  
 SEAL TEST:  $1 \times 10^{-8}$  MAX LEAK RATE COIL TRANSIENT SUPPRESSION: 42 Vdc MAX  
 OTHER: - SEE BELOW -



Prepared By: Date		Approved By: Date	
LES WYNNE 10-29-96			
Rev	ECN No.	Date	
A	96-065	10-29-96	

### SPECIAL INSTRUCTIONS

**DO NOT INSTALL ARC BARRIERS**

# Mouser Electronics

Authorized Distributor

Click to View Pricing, Inventory, Delivery & Lifecycle Information:

[TE Connectivity:](#)

[FCA-210-1038M](#)